



SAP CODE:

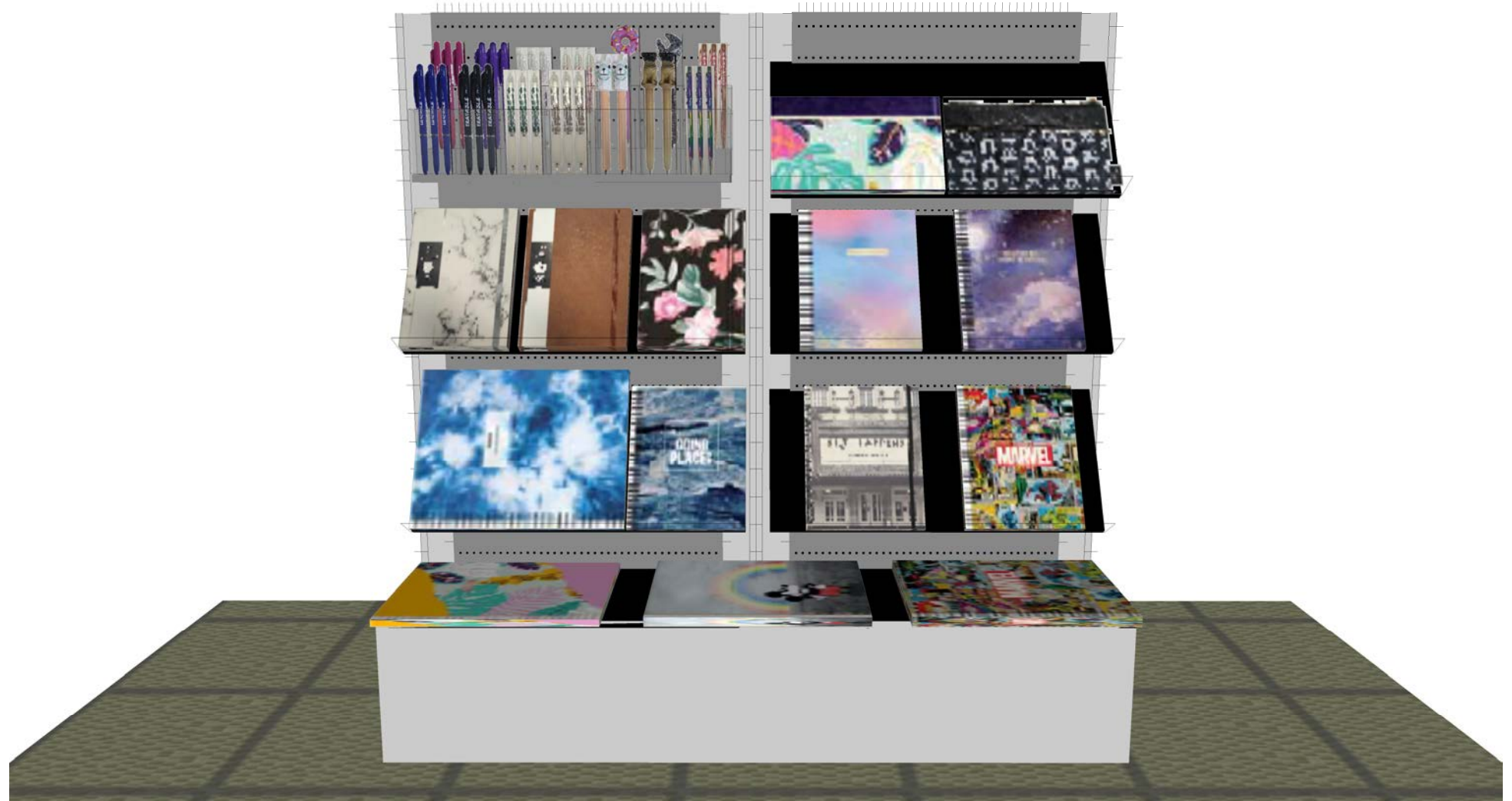
IMP_35LPIQ

**Impulse Queue Unit 35 (Double Sided Unit) -
Typo 2**

Page: 1 of 4

FLOORPLAN CODE:

IMP_35



| | |
|-------------------------|-------------|
| PLANOGRAM LAST UPDATED: | 09 OCT 2020 |
| IMPLEMENTATION DATE: | 26 OCT 2020 |
| GO LIVE DATE: | 02 NOV 2020 |

For all queries or feedback related to this planogram, please email to:
DL Space Management Team -
dlspacemanagementteam@auspost.com.au

Implemented by:
Date:
Signature:



SAP CODE:

IMP_35LPIQ

Impulse Queue Unit 35 (Double Sided Unit) - Typo 2

Page: 2 of 4

FLOORPLAN CODE:

IMP_35

PLANOGRAM UPDATE - SUMMARY

"NEW PRODUCTS" – please add the products into this Planogram.

"REMOVED / DISCONTINUED PRODUCTS" – please remove the products from this Planogram.

Please also check the product status of the materials listed in the below table as some lines may either be relocated to another Planogram or marked down to be placed in the clearance zone of your outlet.

Please go to the Notes section of this Planogram for further details (if applicable).

NEW PRODUCTS

REMOVED / DISCONTINUED PRODUCTS

| PRODUCT ID | UPC / EAN | DESCRIPTION | TOTAL COUNT: |
|------------|-----------|-------------|--------------|
|------------|-----------|-------------|--------------|

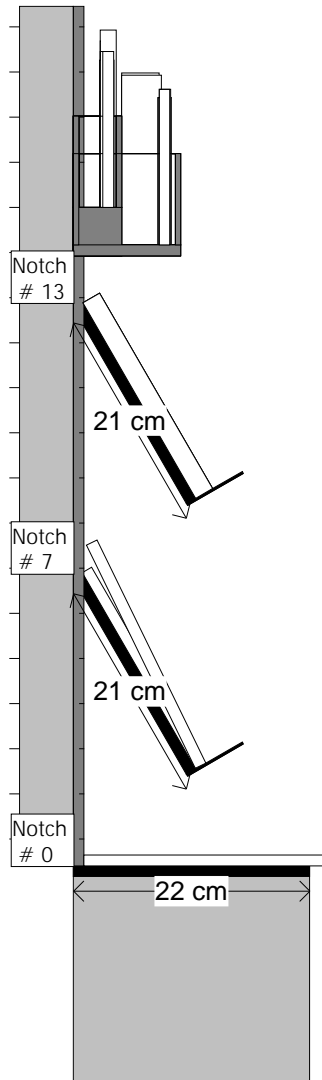
| PRODUCT ID | UPC / EAN | DESCRIPTION | TOTAL COUNT: |
|------------|-----------|-------------|--------------|
|------------|-----------|-------------|--------------|

| | | | | | |
|-------------------------|-------------|----------------------|-------------|---------------|-------------|
| PLANOGRAM LAST UPDATED: | 09 OCT 2020 | IMPLEMENTATION DATE: | 26 OCT 2020 | GO LIVE DATE: | 02 NOV 2020 |
|-------------------------|-------------|----------------------|-------------|---------------|-------------|

FRONT VIEW



SIDE VIEW



| BAY: | 1 | Product ID | UPC / EAN | Description | W: | D: | ANGLE: | NOTCH # |
|----------|---|---------------|---|-------------|---------------------|------------|------------|-------------|
| BAY: 1 | Chest : APOPDU - TYPO PEN UNIT | | | | W: 6.5 cm | D: 4.5 cm | ANGLE: 0 | NOTCH # N/A |
| LOCATION | PRODUCT ID | UPC / EAN | DESCRIPTION | FACINGS | NEW/DELETED PRODUCT | | | |
| 1 | 47541 | 9354686002102 | TY ERASABLE BALLPOINT PEN/PINK | 3 | | | | |
| BAY: 1 | Chest : APOPDU - TYPO PEN UNIT | | | | W: 6.5 cm | D: 4.5 cm | ANGLE: 0 | NOTCH # N/A |
| LOCATION | PRODUCT ID | UPC / EAN | DESCRIPTION | FACINGS | NEW/DELETED PRODUCT | | | |
| 3 | 47542 | 9354686002119 | TY ERASABLE BALLPOINT PEN/PURPLE | 3 | | | | |
| BAY: 1 | Chest : APOPDU - TYPO PEN UNIT | | | | W: 6.5 cm | D: 4.5 cm | ANGLE: 0 | NOTCH # N/A |
| LOCATION | PRODUCT ID | UPC / EAN | DESCRIPTION | FACINGS | NEW/DELETED PRODUCT | | | |
| 5 | 49643 | 9355507011365 | TY IN THE CLEAR PEN UNICORN | 3 | | | | |
| BAY: 1 | Chest : APOPDU - TYPO PEN UNIT | | | | W: 6.5 cm | D: 4.5 cm | ANGLE: 0 | NOTCH # N/A |
| LOCATION | PRODUCT ID | UPC / EAN | DESCRIPTION | FACINGS | NEW/DELETED PRODUCT | | | |
| 7 | 47555 | 9355507011259 | TY IN THE CLEAR PEN/DONUT | 3 | | | | |
| BAY: 1 | Chest : APOPDU - TYPO PEN UNIT | | | | W: 6.5 cm | D: 4.5 cm | ANGLE: 0 | NOTCH # N/A |
| LOCATION | PRODUCT ID | UPC / EAN | DESCRIPTION | FACINGS | NEW/DELETED PRODUCT | | | |
| 9 | 47676 | 9351533534403 | TY NOVELTY PEN/PINK DONUT | 1 | | | | |
| BAY: 1 | Chest : APOPDU - TYPO PEN UNIT | | | | W: 6.5 cm | D: 4.5 cm | ANGLE: 0 | NOTCH # N/A |
| LOCATION | PRODUCT ID | UPC / EAN | DESCRIPTION | FACINGS | NEW/DELETED PRODUCT | | | |
| 11 | 46163 | 9351785722948 | TY NOVELTY PEN/WRENCH | 1 | | | | |
| BAY: 1 | Chest : APOPDU - TYPO PEN UNIT | | | | W: 6.5 cm | D: 4.5 cm | ANGLE: 0 | NOTCH # N/A |
| LOCATION | PRODUCT ID | UPC / EAN | DESCRIPTION | FACINGS | NEW/DELETED PRODUCT | | | |
| 13 | 46155 | 9344943053633 | TY SPARKLE BALLPOINT PEN/ROSE GOLD | 3 | | | | |
| BAY: 1 | Chest : APOPDU - TYPO PEN UNIT | | | | W: 6.5 cm | D: 10.0 cm | ANGLE: 0 | NOTCH # N/A |
| LOCATION | PRODUCT ID | UPC / EAN | DESCRIPTION | FACINGS | NEW/DELETED PRODUCT | | | |
| 2 | 47540 | 9354686002096 | TY ERASABLE BALLPOINT PEN/BLUE | 3 | | | | |
| BAY: 1 | Chest : APOPDU - TYPO PEN UNIT | | | | W: 6.5 cm | D: 10.0 cm | ANGLE: 0 | NOTCH # N/A |
| LOCATION | PRODUCT ID | UPC / EAN | DESCRIPTION | FACINGS | NEW/DELETED PRODUCT | | | |
| 4 | 47543 | 9354686002126 | TY ERASABLE BALLPOINT PEN/BLACK | 3 | | | | |
| BAY: 1 | Chest : APOPDU - TYPO PEN UNIT | | | | W: 6.5 cm | D: 10.0 cm | ANGLE: 0 | NOTCH # N/A |
| LOCATION | PRODUCT ID | UPC / EAN | DESCRIPTION | FACINGS | NEW/DELETED PRODUCT | | | |
| 6 | 47556 | 9355507011341 | TY IN THE CLEAR PEN/LEAF | 3 | | | | |
| BAY: 1 | Chest : APOPDU - TYPO PEN UNIT | | | | W: 6.5 cm | D: 10.0 cm | ANGLE: 0 | NOTCH # N/A |
| LOCATION | PRODUCT ID | UPC / EAN | DESCRIPTION | FACINGS | NEW/DELETED PRODUCT | | | |
| 8 | 47557 | 9355507011358 | TY IN THE CLEAR PEN/SLOTH | 3 | | | | |
| BAY: 1 | Chest : APOPDU - TYPO PEN UNIT | | | | W: 6.5 cm | D: 10.0 cm | ANGLE: 0 | NOTCH # N/A |
| LOCATION | PRODUCT ID | UPC / EAN | DESCRIPTION | FACINGS | NEW/DELETED PRODUCT | | | |
| 10 | 47678 | 9353699663539 | TY NOVELTY PEN/LLAMA HEAD | 2 | | | | |
| BAY: 1 | Chest : APOPDU - TYPO PEN UNIT | | | | W: 6.5 cm | D: 10.0 cm | ANGLE: 0 | NOTCH # N/A |
| LOCATION | PRODUCT ID | UPC / EAN | DESCRIPTION | FACINGS | NEW/DELETED PRODUCT | | | |
| 12 | 47677 | 9351533583418 | TY NOVELTY PEN/PUG | 2 | | | | |
| BAY: 1 | Chest : APOPDU - TYPO PEN UNIT | | | | W: 6.5 cm | D: 10.0 cm | ANGLE: 0 | NOTCH # N/A |
| LOCATION | PRODUCT ID | UPC / EAN | DESCRIPTION | FACINGS | NEW/DELETED PRODUCT | | | |
| 14 | 46156 | 9350486434808 | TY SPARKLE BALLPOINT PEN/OIL SLICK | 3 | | | | |
| BAY: 1 | Shelf : ECCO IQ SHELF - 465mm x 210mm (50mm LIP) | | | | W: 46.5 cm | D: 21.0 cm | ANGLE: -60 | NOTCH # 13 |
| LOCATION | PRODUCT ID | UPC / EAN | DESCRIPTION | FACINGS | NEW/DELETED PRODUCT | | | |
| 15 | 47516 | 9352403122027 | TY A5 BUFFALO JRN/MARBLE GREY ELST | 1 | | | | |
| 16 | 47517 | 9353699490852 | TY A5 BUFFALO JOURNAL/MID TAN | 1 | | | | |
| 17 | 47704 | 9355507794572 | TY A5 BUFFALO JOURNAL/DARK FLORAL | 1 | | | | |
| BAY: 1 | Shelf : ECCO IQ SHELF - 465mm x 210mm (50mm LIP) | | | | W: 46.5 cm | D: 21.0 cm | ANGLE: -60 | NOTCH # 7 |
| LOCATION | PRODUCT ID | UPC / EAN | DESCRIPTION | FACINGS | NEW/DELETED PRODUCT | | | |
| 18 | 47687 | 9355507512800 | TY A4 SPINOUT NB RECYCLED/TIE DYE | 1 | | | | |
| 19 | 47703 | 9355507794305 | TY A5 SPINOUT NB RECYCLED/GOING PLACES | 1 | | | | |
| BAY: 1 | Shelf : IMPULSE QUEUE UNIT BASE SHELF | | | | W: 50.0 cm | D: 22.0 cm | ANGLE: 0 | NOTCH # 0 |
| LOCATION | PRODUCT ID | UPC / EAN | DESCRIPTION | FACINGS | NEW/DELETED PRODUCT | | | |
| 20 | 47686 | 9355507512749 | TY A4 SPINOUT NB RECYCLED/JUNGLE FLORAL | 1 | | | | |

FIXTURE INFORMATION: PENS ARE TO BE MERCHANDISED IN THE ACRYLIC PEN UNIT (CODE: APOPDU).

NOTES: N/A

IMPLEMENTATION DATE:

26 OCT 2020

GO LIVE DATE:

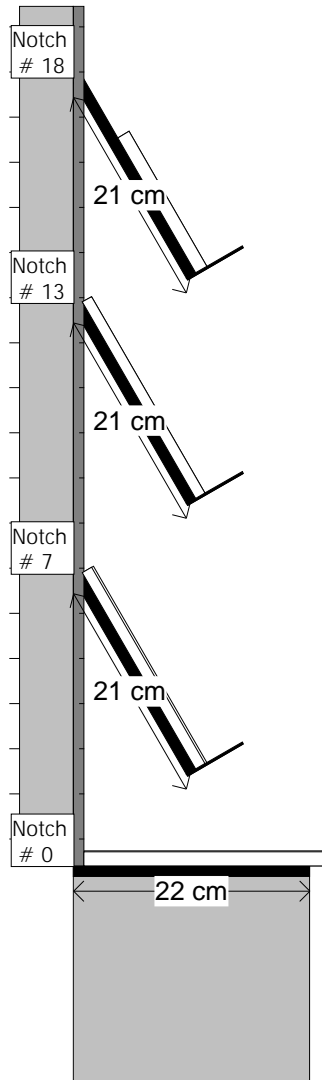
02 NOV 2020

For all queries or feedback related to this planogram, please email to:
DL Space Management Team - dlspacemanagementteam@auspost.com.au

FRONT VIEW



SIDE VIEW



| BAY: 2 Pegboard : IMPULSE QUEUE UNIT SLAT | | | | W: 40.0 cm | D: 1.0 cm | ANGLE: 0 | NOTCH # N/A |
|---|------------|---------------|--|------------|---------------------|------------|-------------|
| BAY: 2 Shelf : ECCO IQ SHELF - 465mm x 210mm (50mm LIP) | | | | W: 46.5 cm | D: 21.0 cm | ANGLE: -60 | NOTCH # 18 |
| LOCATION | PRODUCT ID | UPC / EAN | DESCRIPTION | FACINGS | NEW/DELETED PRODUCT | | |
| 21 | 47690 | 9355507533812 | TY ARCHER PENCIL CASE/GIRLIE PALM | 1 | | | |
| 22 | 49794 | 9355507118323 | TY ARCHER PENCIL CASE/MICKEY HEAD | 1 | | | |
| BAY: 2 Shelf : ECCO IQ SHELF - 465mm x 210mm (50mm LIP) | | | | W: 46.5 cm | D: 21.0 cm | ANGLE: -60 | NOTCH # 13 |
| LOCATION | PRODUCT ID | UPC / EAN | DESCRIPTION | FACINGS | NEW/DELETED PRODUCT | | |
| 23 | 47702 | 9356067008581 | TY A5 SPINOUT NB REC/MAK DRM HAPP | 1 | | | |
| 24 | 47701 | 9355507793629 | TY A5 SPINOUT NB REC/CHANGE UNI | 1 | | | |
| BAY: 2 Shelf : ECCO IQ SHELF - 465mm x 210mm (50mm LIP) | | | | W: 46.5 cm | D: 21.0 cm | ANGLE: -60 | NOTCH # 7 |
| LOCATION | PRODUCT ID | UPC / EAN | DESCRIPTION | FACINGS | NEW/DELETED PRODUCT | | |
| 25 | 47584 | 9355507145862 | TY A5 SPINOUT NB RECYCLED/SPIT HAPPENS | 1 | | | |
| 26 | 49803 | 9355507563598 | TY A5 SPINOUT NB RECY/MARVEL COMIC | 1 | | | |
| BAY: 2 Shelf : IMPULSE QUEUE UNIT BASE SHELF | | | | W: 50.0 cm | D: 22.0 cm | ANGLE: 0 | NOTCH # 0 |
| LOCATION | PRODUCT ID | UPC / EAN | DESCRIPTION | FACINGS | NEW/DELETED PRODUCT | | |
| 27 | 49801 | 9355507513050 | TY A4 SPINOUT NB RECY/MICKEY RAINBOW | 1 | | | |
| 28 | 49799 | 9355507512763 | TY A4 SPINOUT NB RECY/MARVEL COMIC | 1 | | | |

FIXTURE INFORMATION: PENS ARE TO BE MERCHANDISED IN THE ACRYLIC PEN UNIT (CODE: APQPDU).

NOTES: N/A

IMPLEMENTATION DATE:

26 OCT 2020

GO LIVE DATE:

02 NOV 2020

For all queries or feedback related to this planogram, please email to:
DL Space Management Team - dlspacemanagementteam@auspost.com.au